

# 2313

## 2 Wire BUS Remote Relay



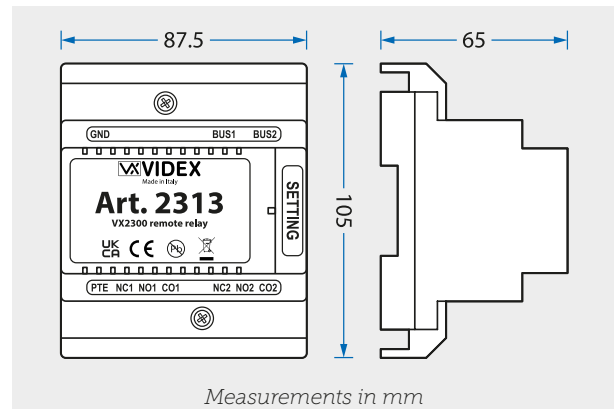
The **Art.2313** is a 2 wire BUS remote relay module for use on the VX2300 digital system.

The module has two dry contact relays (**RLY1** and **RLY2**) where relay 1 can be activated via the lock button on the internal device and relay 2 can be activated via a spare service button on the internal device. Relay 1 can also be activated using the onboard **PTE** input.

For higher security applications, including installations in compliance with **Secured by Design**, the **Art.2313** remote relay can be installed in a more secure location away from the entrance panel.

### Main features

- 2 wire BUS connectivity, allowing for easy cabling installation.
- The relay module can be connected anywhere along the 2 wire BUS.
- 2 dry contact relays (**RLY1** and **RLY2**) with programmed relay time.
- 1 switched 0V PTE input for **RLY1**.
- **Secured by Design** feature.



Measurements in mm

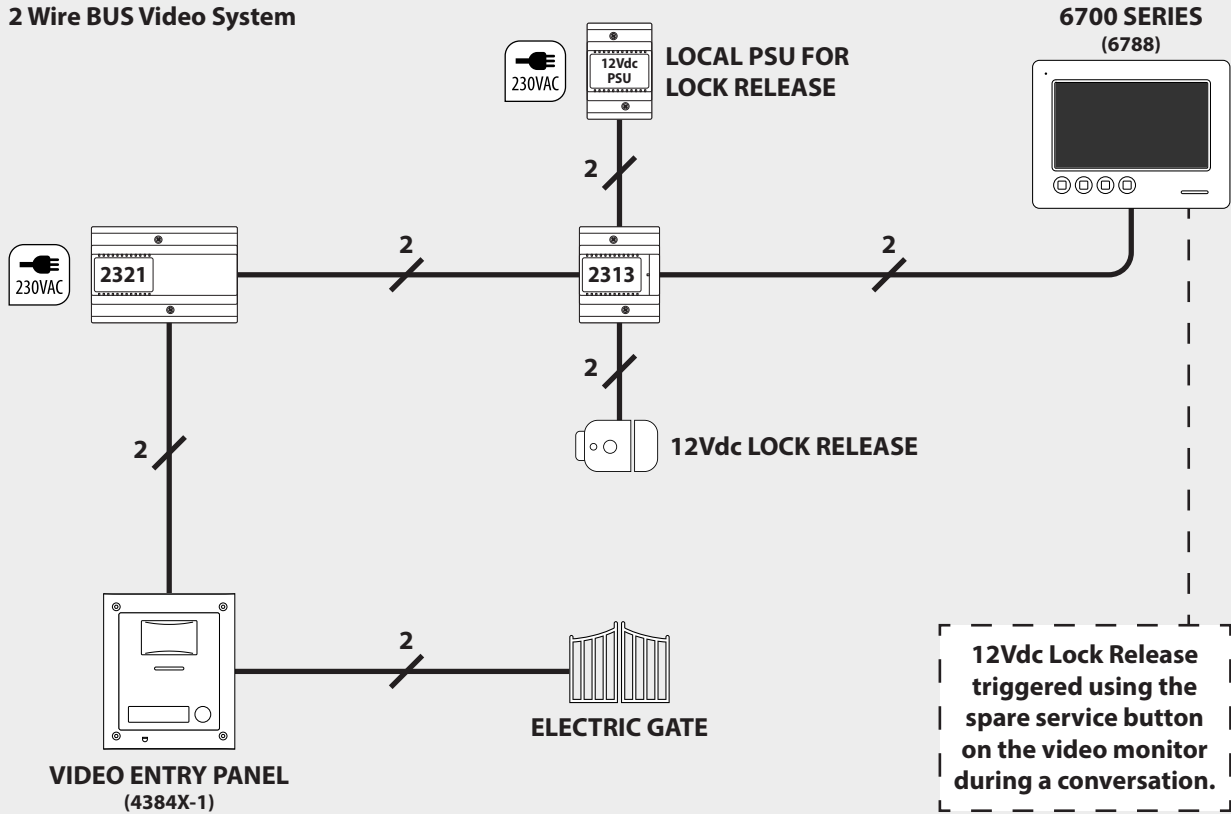
### Technical characteristics

<b>Device type</b>	2 wire BUS remote relay.
<b>Power supply</b>	32-35Vdc supplied by BUS.
<b>Relays</b>	2x dry contact relays: <b>RLY1</b> and <b>RLY2</b> (NC1/NO1/CO1 and NC2/NO2/CO2).
<b>Relay current</b>	24Vac/dc @ 5A.
<b>Inputs</b>	BUS input ( <b>BUS1</b> and <b>BUS2</b> ), <b>GND</b> (0V) 1x <b>PTE</b> (switched 0V for <b>RLY1</b> only).
<b>Outputs</b>	<b>RLY1</b> and <b>RLY2</b> (see above).
<b>Programming</b>	Via internal 8 way dip-switch. Programming related to outdoor entry panel address: device ID setup: 1 - 15. Relay activation times (2, 8, 16 or 32 seconds).
<b>Operation</b>	<b>RLY1</b> activation via <b>PTE</b> input (see above) and lock button on internal device. <b>RLY2</b> activation via spare service button on internal device (during an open conversation between the entry panel and internal device).
<b>Housing</b>	5 module A type DIN box.
<b>Mounting</b>	Surface wall mount or DIN rail.
<b>Working Temp.</b>	-20 to +60°C.



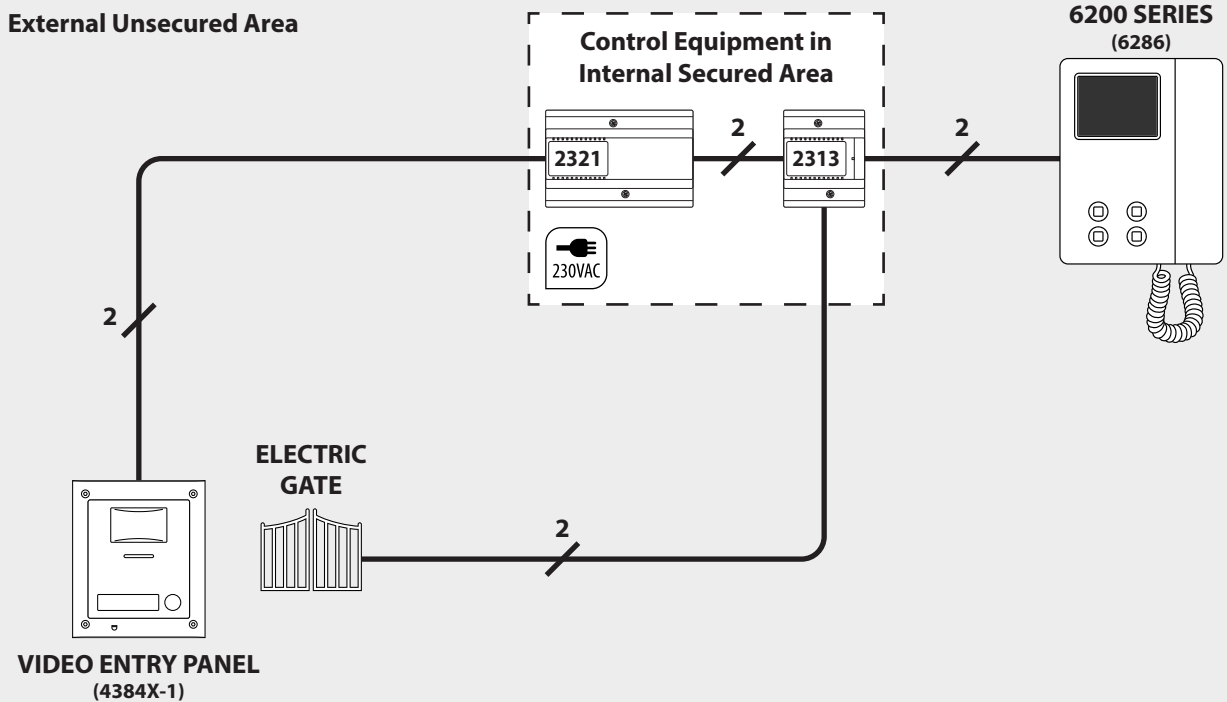
THE POWER TO SECURE

## 2 Wire BUS Video System



## 2 Wire BUS Video System - Secured by Design Configuration

### External Unsecured Area



## VIDEX SECURITY LTD.

### Main UK Office

1 Osprey, Trinity Park, Trinity Way,  
London, E4 8TD  
tel: 0370 300 1240

[www.videxuk.com](http://www.videxuk.com)

### Northern UK Office

Unit 4-7 Chillingham Ind. Estate, Chapman Street,  
Newcastle Upon Tyne, NE6 2XX  
tel: 0370 300 1240

[sales@videxuk.com](mailto:sales@videxuk.com)

