

6300
SERIES

6388

6300 Series 3.5" hands-free videophone
for VX2300 system (2 wire)



Compact, minimalist design and 3.5" TFT LCD monitor.

The 6300 series is available for the VX2300 system and features a full-duplex speakerphone.

3.5" TFT LCD monitor
with high resolution

Full-duplex hands free

Ensures smooth communication between the outdoor station and the videophone. In the event of excessive noise in the external environment, the push to talk function can be activated, allowing for a perfect communication

4 push buttons

Service signalling LEDs

- Privacy ON
- Door open
- Conversation activation

Intercommunication

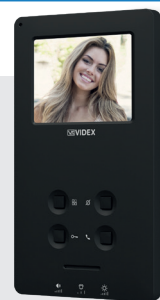
up to 8 users with press

Adjustments

Call tone volume on 3 levels, hue, contrast and brightness

Surface or tabletop installation

6388 is also available in Black Rubber finish (6388/B)



1986 VIDEX 2021

VIDEX

VIDEOCITOFONIA EVOLUTA
ITALIANA AL 100%

6300 Series 3.5" hands-free videophone for VX2300 system (2 wire)

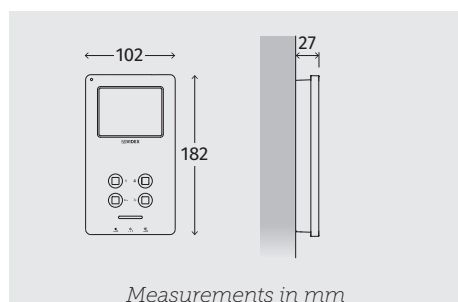
TFT LCD monitor, 4 buttons for functions: conversation response/ end, door open, multiple intercom call, relay activation code 2305, auto start, camera switching, timed privacy service.

3 LEDs for services: privacy, door open, conversation.

Floor call input.

Adjustment of call volume (3 levels), number of rings, brightness, contrast and saturation.

Wall mounted, white or black finish.



Technical characteristics

Display	3.5"
Handset/Hands free	Hands free
Buttons No.	4
Buttons/Services¹	Service Privacy/Bus relay activation/Camera switch/Call reject Door open/Intercommunicating call Answer/OFF/Camera recall/PTT
Privacy	Yes, timed
LEDs²	Privacy On Door open Conversation
Adjuments	Call tone volume (3 levels) Speech volume Hue Contrast Brightness
Programmings	Melody Number of rings Privacy duration
Inputs	Local bell
Altre caratteristiche	Intercommunication
Modo video	Modulated
Mounting	Surface
Finishes	Satin white (standard) /B Black Rubber
Desktop kit	Art. 63931

¹ Some buttons are used for multiple functions.

² The operation of some LED's and the functions described may require additional cabling.

Accessories



**63931
Desktop kit**