

# 316S



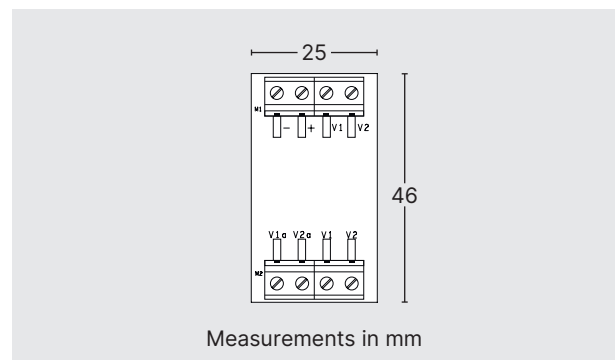
## 1 Way video distributor



1 Way video distributor for systems with balanced video signal (4+1 or VX2200).  
It allows to connect one videophone on a balanced video network keeping the same line impedance.

### Technical characteristics

|                            |                 |
|----------------------------|-----------------|
| <b>Power supply</b>        | 20Vdc           |
| <b>Power consumption:</b>  | Stand-by: 5mA   |
|                            | Operating: 40mA |
| <b>Dimensions (mm)</b>     | 25 × 46 × 15    |
| <b>Mounting</b>            | Free mounting   |
| <b>Working temperature</b> | -20 +60 °C      |



Measurements in mm