

ERA23V

 **VX2300**

VX2300 ERA Series
Video Outdoor Station



CMOS colour video camera

Integrated NFC proximity
reader

1, 2 or 4 call buttons / 1
call button with six button
coded access

Programming via dip-switch
or via software

RS-485, Bluetooth and NFC
interfaces

1 PTE input and 2 outputs

IP65 and IK09 aluminium
frame



IP65



IK09



 **Bluetooth®**

The new ERA outdoor station combines elegance and versatility in a single robust and functional product.



1986  2021

 **VIDEX®**

Audio/video outdoor station for VX2300 systems

Era series Audio/video outdoor station for VX2300 systems, integrated 1/4" CMOS colour video camera (55° vertical, 115° horizontal) with 1 Lux min sensitivity and 976×582 (PAL) resolution. 1 white light LED for night vision.

Built-in microphone and 8Ω/2W speaker with full-duplex audio function. Integrated NFC proximity reader for using up to 2,000 keys that can be programmed directly from the device using the master card supplied.

Choose from four button layouts: 1, 2 or 4 call buttons or 6 buttons codelock plus one call button.

RS-485, NFC and Bluetooth interfaces. 5 LEDs for visual alert of system status: Busy, Calling, NFC Reader, Speak and Door Open.

Acoustic alerts and voice assistance for the visually impaired. Configurable Number of calling buttons, Device version, Code length, Door ID, Conversation and Door opening time.

2 relay outputs: 1 dry contact C-NO-NC (max 12-24Vac/dc 2A) and 1 dry contact C-NO (max 50Vac/dc 0.1mA).

Capacitive discharge option (max 12Vac/dc 1A) for directly powering locks (relay 1 only).

1 input for direct door opening (PTE).

Adjustable voice assistance, microphone and loudspeaker volume levels, audio balance adjustment. Black or grey finishes. Aluminium frame with IK09 and IP65 protection rating.

Operating temperature -20°/+60 °C. Power supply by BUS. Simple configuration of the device through dip-switches or Bus Wizard software. Dimensions: 96×200×29 mm.



1 call button
Black finish



2 call buttons
Black finish



4 call buttons
Black finish



One call button plus
coded access
Black finish



1 call button
Grey finish



2 call buttons
Grey finish



4 call buttons
Grey finish



One call button plus
coded access
Grey finish

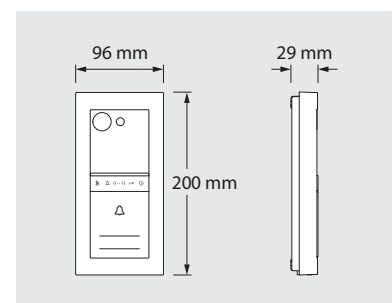


Technical characteristics

Audio/Video	Audio/Video
Camera and illumination LED	CMOS 976×582 colour camera (55° vertical, 155° horizontal) White light illumination LED
Visual signalling LED's	Busy, Calling, NFC Reader, Speak, Door Open
Backlight	Yes
Integrated proximity access	NFC/MIFARE (ISO IEC 14443A), up to 2000 cards
Buttons layouts	1 call button 2 call buttons 4 call buttons 6 buttons codelock plus one calling button
Programming (through dip-switch)	Number of calling buttons Device version Code length Door ID Conversation time Door opening time Programming mode
Programming mode	By dip-switches Through Bus Wizard software Through mobile app
Interfaces	RS-485 NFC Bluetooth
Adjustments	Voice assistance volume Audio balance Microphone volume Loudspeaker volume
Input	1 PTE input
Output	2 relay outputs: 1 dry contact C-NO-NC (max 12-24Vac/dc 2A) and 1 dry contact C-NO (max 50Vac/dc 0.1mA). Capacitive discharge option (max 12Vac/dc 1A) for directly powering locks
Frame	Aluminium IP65 and IK09
Finishes	Black ERA23VB Grey ERA23VG
Mounting	Surface
Power supply	Supplied by the BUS
Dimensions (mm)	96 × 200 × 29
Working temperature	-20°/+60°C

Accessories

ERARSB Black rainshield	
ERARSG Grey rainshield	
955MF/T Mifare proximity key	
955MF/C Mifare proximity card	



VIDEX ELECTRONICS S.P.A.

Via del Lavoro, 1 - 63846 Monte Giberto (FM) - ITALY
tel +39 0734 631669 - fax +39 0734 632475
www.videx.it

